



WECHAT



WEB

Welcome to HEARKEN

Actuators and Controls

**Hearken
Here We
Can**

The Trusted, Passionate and focused Partner in Valve Automation

At HEARKEN FLOW, The founding principle of Hearkenflow is simple: to Listen our customers needs first, to develop the innovative valve actuators solutions , to meet the unique needs of our customers, Along the way, To help our customers to solve the problems in Valve Automation. We are growing our brand in Pneumatic and Electric Actuators, Accessories..



WHY WE ARE DIFFERENT

We offer a complete valve automation solution by the applications experience and customization capabilities, with an experienced support team to guide you in selection, installation, and project support. In addition we maintain an extensive supply of product inventory on hand so that we can quickly fulfill orders and reduce wait times. Our sales and support staff are readily available and accessible so that customers get the answers they need quickly.



Experienced team



Large inventory



Convenient consultation

THE TARGET WE ARE PURSUING



High-quality



low cost



Reliable solution

- To built A strong Reputation in Providing Quality, Cost Effective , Reliable And Robust Performance Solutions for Valve Automation,
- Included Pneumatic Actuators, Electrically Actuators, Actuated Valves.



COMMITMENT TO QUALITY

At HEARKEN FLOW means performance, All products manufactured by HEARKEN FLOW are warranted against defects in material and workmanship for a period of 18 months from the day of startup. Each of our products are tested at the factory. we are confident that our products meet or exceed all applicable standards before they ever leave our facility. We are an ISO 9001-2008 certified company. Our Valve Actuators Has Applied for SIL3 Certificate, ATEX Certificate ,CE, Explosion-proof Certificate, IP68 Weather proof etc....

HEAS Series Nylon Electric Actuator

Description

HEAS Series Quarter-Turn Electric Actuator is used for controlling 0-90 degree Rotation valves and other similar products, such as butterfly valve, ball valve, damper, flapper valve, cock valve etc... It widely applies to petroleum, chemical, water treatment, shipping, paper, making, power plant and other industries. Driven by 380V/220V/110VAC OR 24V/110VDC Power

testing for all actuators

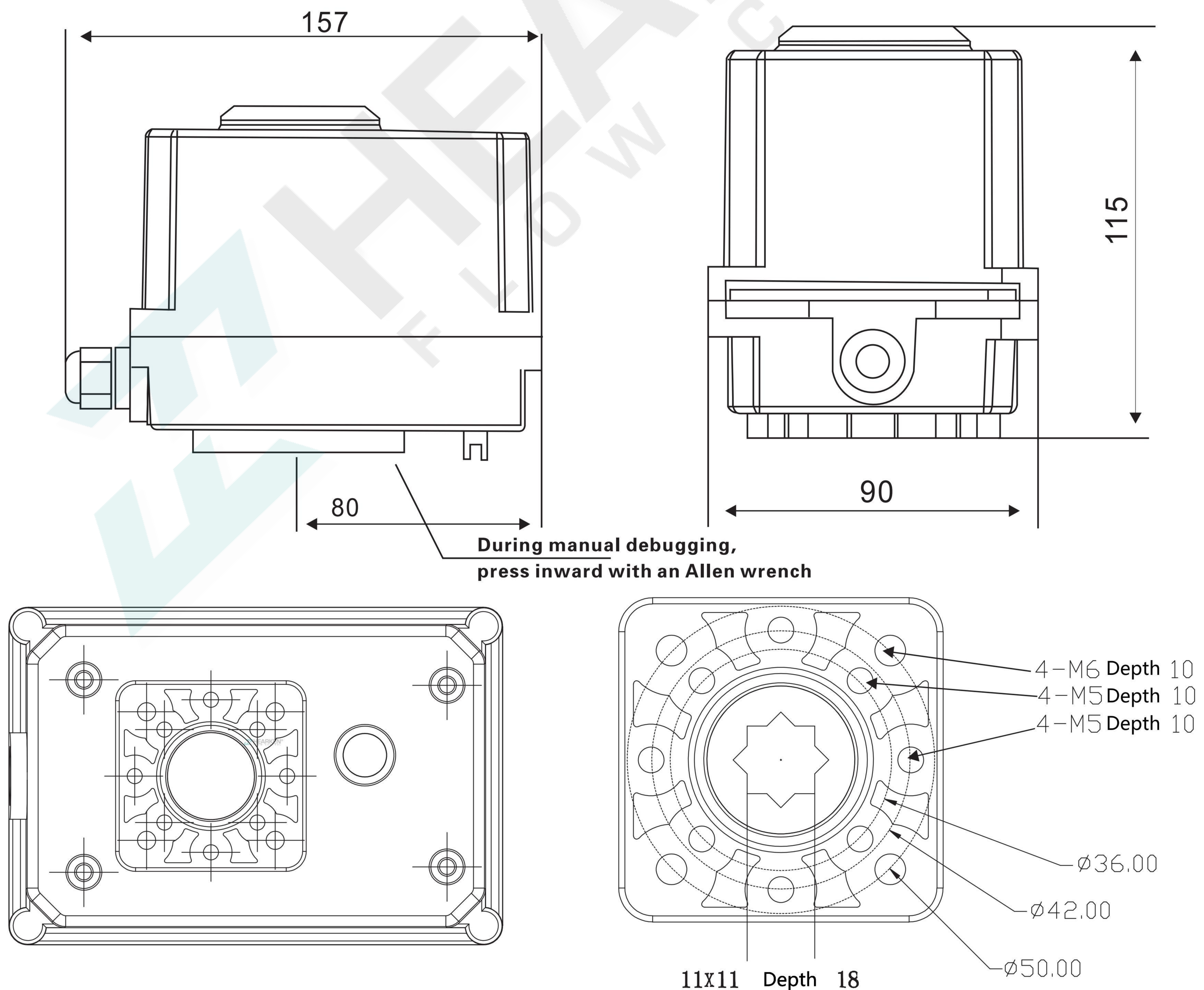


All actuators manufactured by HEARKEN are individually tested, Testing is carried out to check the leakage in both internal and external, The angle of rotation and Torque values, All bodies are stamped with year, month of production, size and serial number.

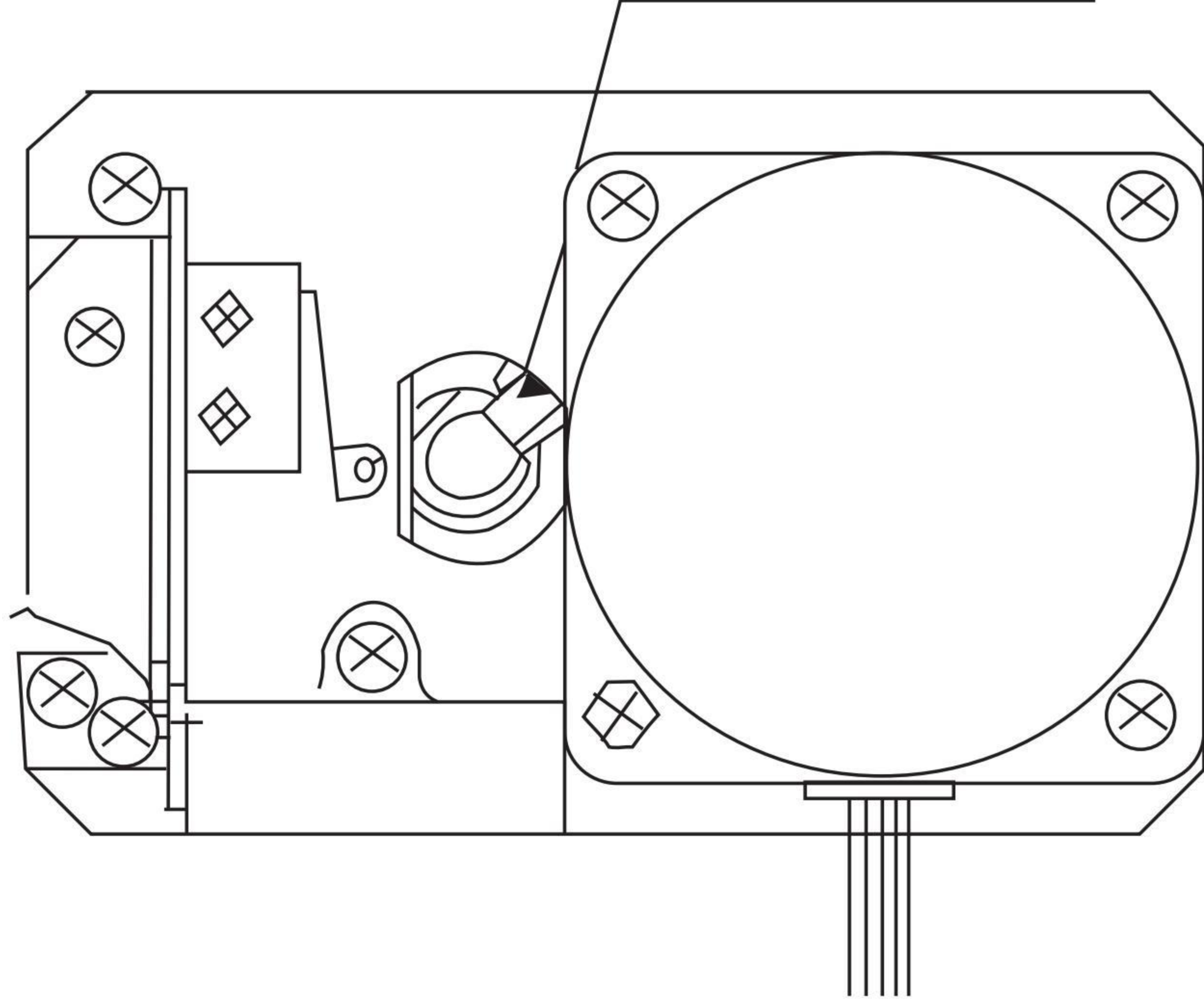


Power Voltage	AC220V/DC24V/50Hz
Rated Power	AC-20W/DC-2W
Rated Current	AC-0.2A/DC-0.15A
Output Torque	30N.m
Operation Time	5-15s
Travel	0-90°
Protection class	IP67

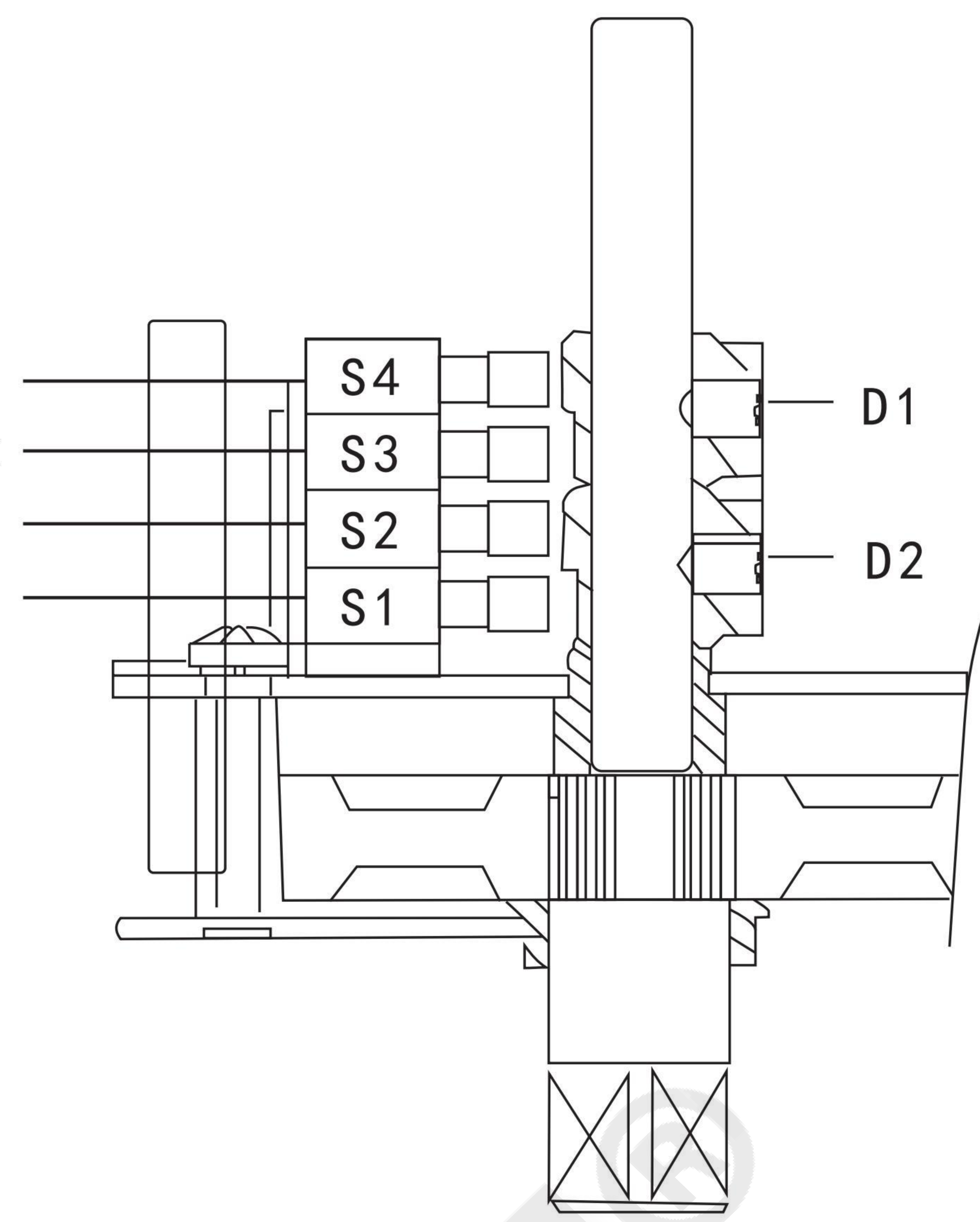
Dimensions



Loosen the screws during debugging



Shut the limit
Closed feedback
Open the limit
Open feedback



Adjustment Of Limit Switch(electrical limit)

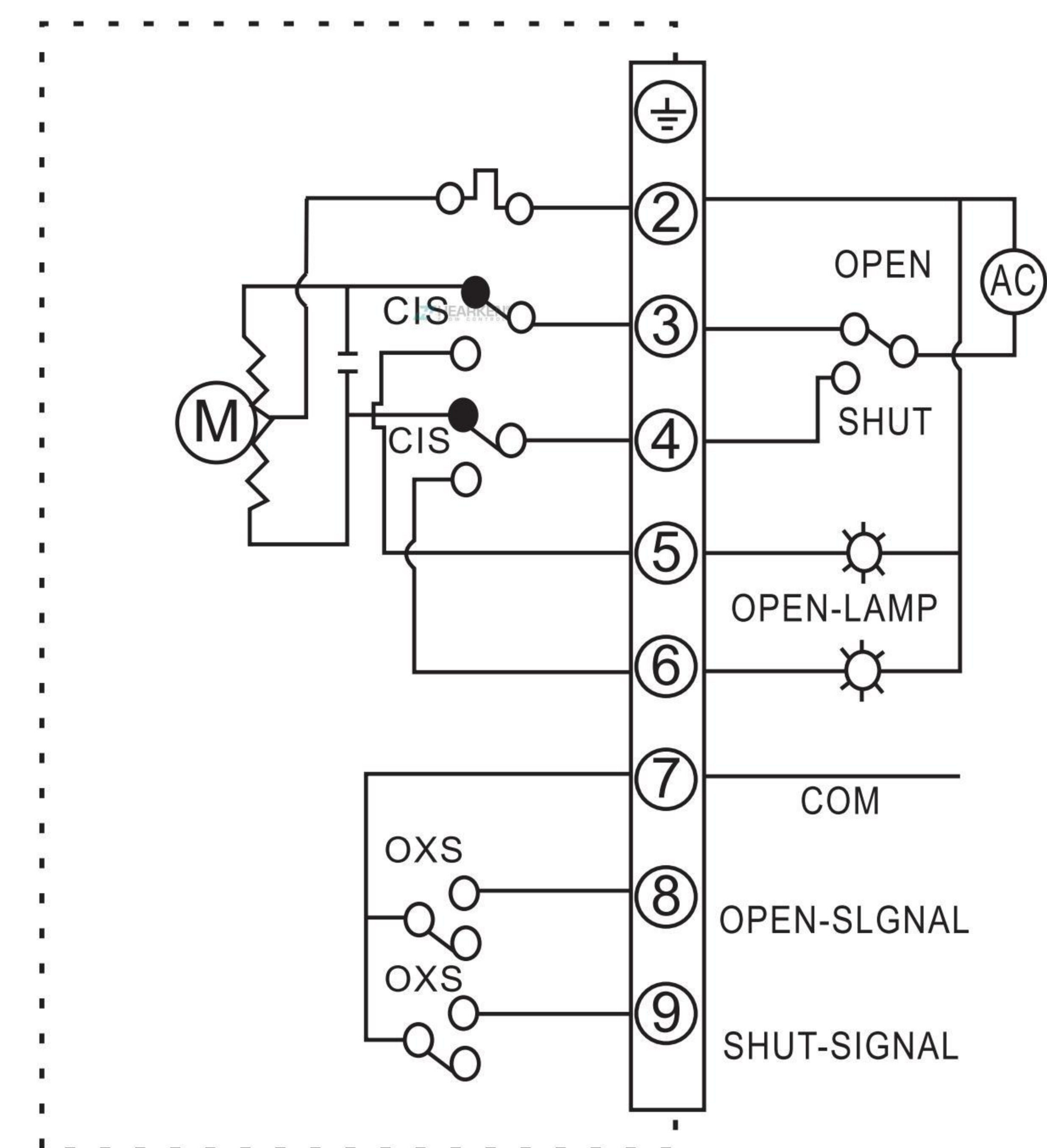
1、 Use the handle to drive the valve to the fully open position,loosen the nut for one turn,turn the D2 yellow limit block anticlockwise to make it just to the switch limit,and after hearing“dada”twice,the opening is complete.

2、 Use the handle to drive the valve to the fully closed position,turn the D1 red limit block clockwise to make it just touch the switch limit,hear “dada”twice,and then complete the locking nut .

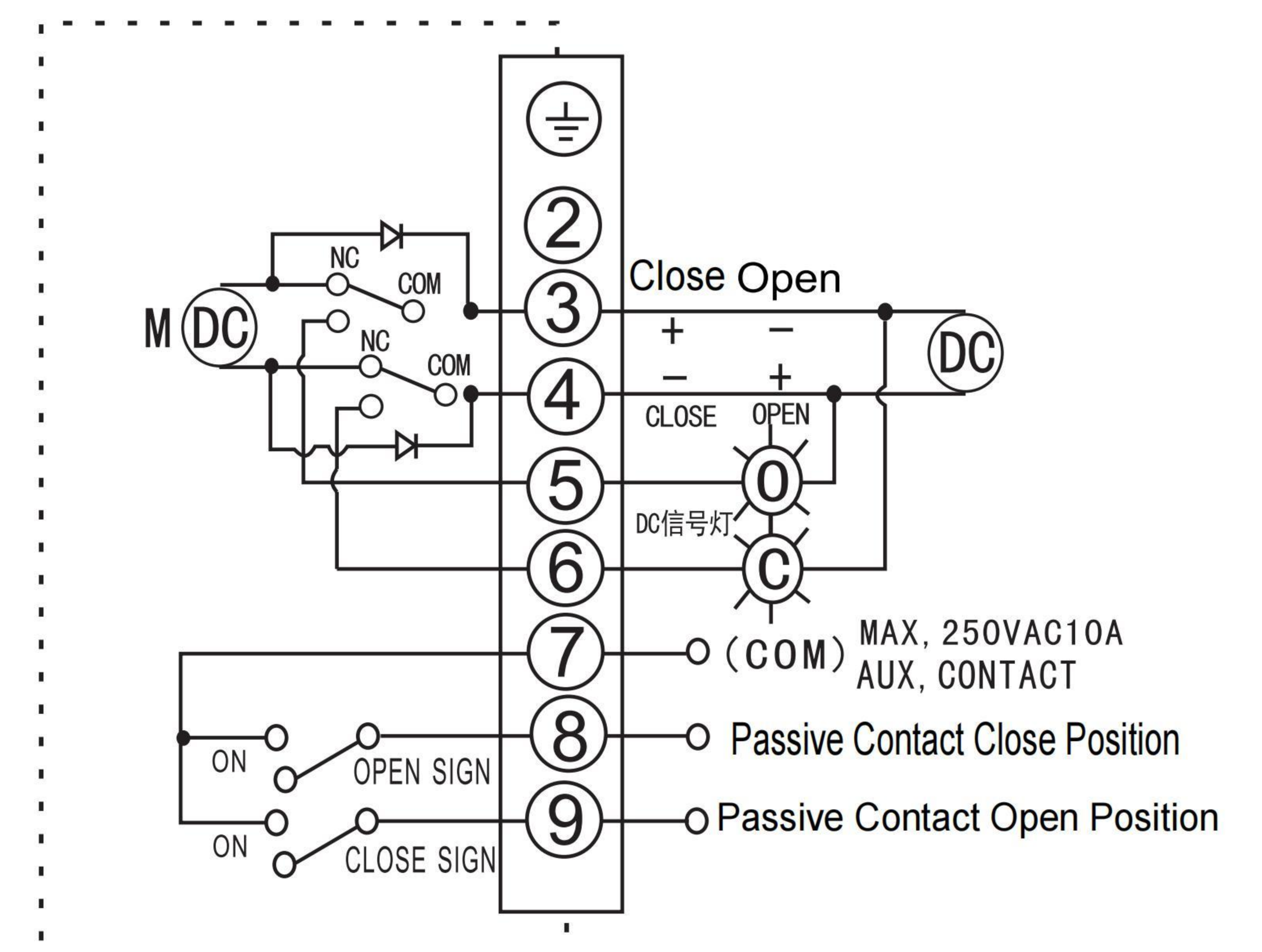
Wiring Diagram



AC On-Off Wiring Diagram



DC On-Off Wiring Diagram



HEARKEN FLOW



www.hearkenflow.com